



TW Series

Wall Mount Temperature Sensor

Product Overview

The TW Series temperature sensors are equipped with highly accuracy RTD/thermistor devices and an analog output compatible with most building control systems. To maintain accurate functionality, keep all vents free of dust, debris, etc. These units are warranted for a period of five years.

Product Identification



NOTICE

- This product is not intended for life or safety applications.
- Do not install this product in hazardous or classified locations.
- Read and understand the instructions before installing this product.
- Turn off all power supplying equipment before working on it.
- The installer is responsible for conformance to all applicable codes.

No responsibility is assumed by Veris Industries for any consequences arising out of the use of this material.

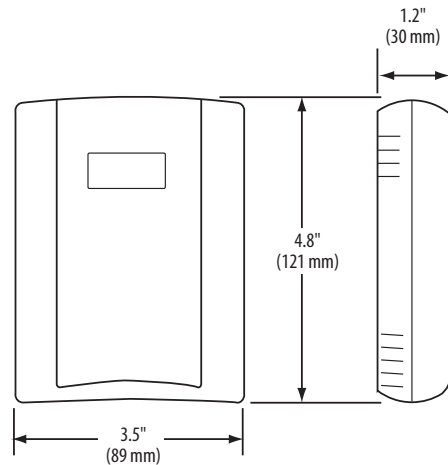
	Local Display	Sensor Type	Setpoint/Override	Cal Certificate	Housing Color
TW	<input type="checkbox"/>	<input type="checkbox"/>	<input type="checkbox"/>	<input type="checkbox"/>	<input type="checkbox"/>
	L = LCD X = No	B = 100R platinum, RTD C = 1k platinum, RTD D = 10k T2, Thermistor E = 2.2k, Thermistor F = 3k, Thermistor G = 10k CPC, Thermistor H = 10k T3, Thermistor J = 10k Dale, Thermistor K = 10k w/11k shunt, Thermistor M = 20k NTC, Thermistor N = 1800 ohm, Thermistor P = 10mV/°C, Linitemp R = 10k US, Thermistor S = 10k 3A221, Thermistor T = 100k, Thermistor U = 20k D Thermistor W = 10k T2 high accuracy Thermistor Y = 10kT3 high accuracy Thermistor Z = 10k E1 Thermistor	0 = None 1 = Override* 2 = 1k Setpoint 3 = 10k Setpoint 4 = 1k Setpoint with override 5 = 10k Setpoint with override	0 = None 1 = 1 point Cal 2 = 2 point Cal	None = Cloud White B = Black

* Pushbutton override short circuits the RTD/thermistor output.

Specifications

Input Power	4-20mA mode: loop powered 12-30VDC only, 30mA max. 05-/0-10V mode: 12-30VDC/24VAC, 15mA max.
Temp Output	2-wire, loop powered 4-20mA or 3-wire, 0-5V/0-10VDC (switch selectable)
Ranges	10° to 35°C (50° to 95°F), 0° to 50°C (32° to 122°F) (jumper selectable)

Dimensions



Installation

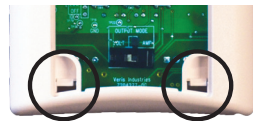


Observe precautions for handling static sensitive devices to avoid damage to the circuitry that is not covered under the factory warranty.

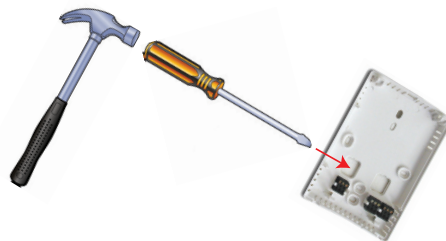
1. Locate the tab at the top of the sensor housing. Using only the minimum required force, press this tab down and pull the cover outward from the top. Set the cover aside.



2. Remove the backplate by unfastening the sensor from the bottom of the backplate and pivoting the sensor outward.



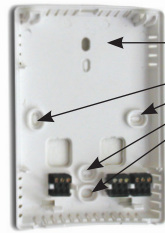
3. Punch out wire opening in the backplate.



4. Position the backplate vertically on the wall, 4½ feet (1.37 m) above the floor. Locate away from windows, vents, and other sources of draft. If possible, do not mount on an external wall, as this might cause inaccurate temperature readings.

Installation
(cont.)

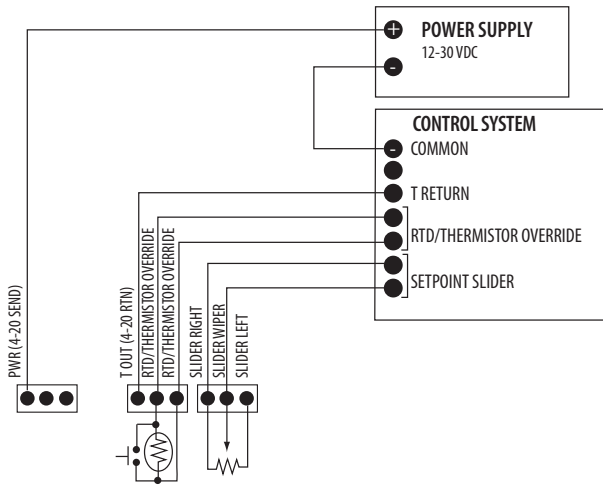
5. Mount the backplate onto the wall using the screws provided.



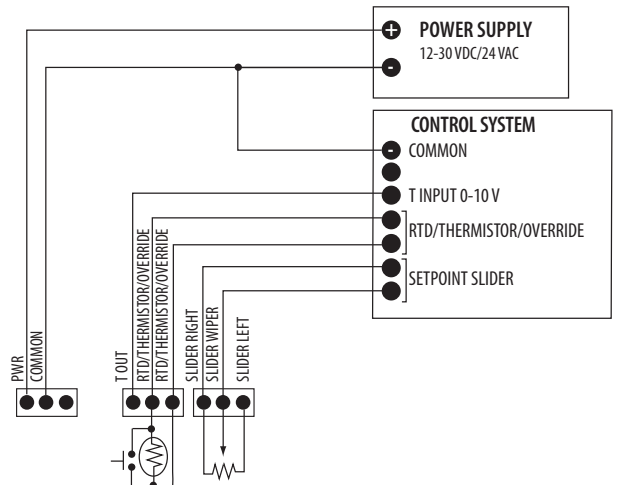
Five screwholes available; use a minimum of two for secure mounting.

6. Wire the backplate.

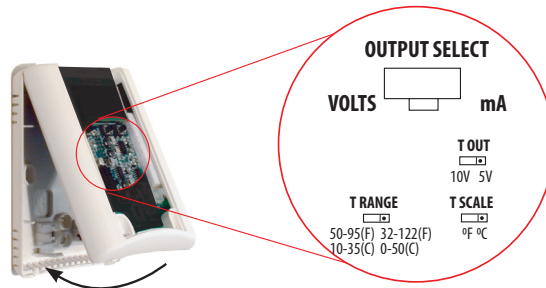
Current Output (2-Wire, 4-20 mA)



Voltage Output (3-Wire, 0-5/0-10 V)



7. Install the sensor onto the backplate and use the switch to select voltage or current output. Output selection must be correct before applying power to the sensor.



8. When the installation is complete, replace the cover and snap it into position.

